

## IQ100, Gas hob, 60 cm, Stainless steel EB6B5PB60



HZ298105 Simmer plate  
HZ298114 Small pot support

A gas cooktop with side-mounted controls.

- ✓ High-quality materials and workmanship – continuous cast-iron finish pan supports.
- ✓ The sword knob combines highest ease of use with modern design.
- ✓ The uniquely beautiful stainless-steel surface design.

Product name/family: ..... gas hob w  
integrated controls  
Built-in / Free-standing: ..... Built-in  
Energy input: ..... Gas  
Number of cooking zones: ..... 4  
Type of control setting devices: ..... sword knobs  
Min. required niche size for installation (HxWxD): ....45 x 560-562 x  
480-492 mm  
Width of the appliance: ..... 580 mm  
Dimensions: ..... 56x580x510 mm  
Dimensions of the packed product (HxWxD): ... 168 x 798 x 596 mm  
Weight: ..... 7.1 kg  
Gross weight: ..... 8.0 kg  
Residual heat indicator: ..... without  
Location of control panel: ..... Lateral  
Basic surface material: ..... Stainless steel  
Color of surface: ..... Stainless steel  
Length electrical supply cord: ..... 100.0 cm  
EAN code: .....4242003687062  
Gas connection rating: ..... 7400 W  
Fuse protection: .....3 A  
Nominal power: ..... 220-240 V  
Frequency: ..... 60; 50 Hz



## IQ100, Gas hob, 60 cm, Stainless steel EB6B5PB60

### Design

- Stainless steel surface
- cast iron finish pan supports with rubber feet

### Usage convenience

- Design co-ordinated control dials: access dials on the side with strong grip for effortless turning.
- Ignition via control dials: just push and turn the dials to ignite the flame.

### Burners and power

- 4 burner gas hob including:
- Left front: High-speed burner up to 3 KW (depending on gas type)
- Left rear: Standard burner up to 1.7 KW (depending on gas type)
- Right rear: Standard burner up to 1.7 KW (depending on gas type)
- Right front: Economy burner up to 1 KW (depending on gas type)

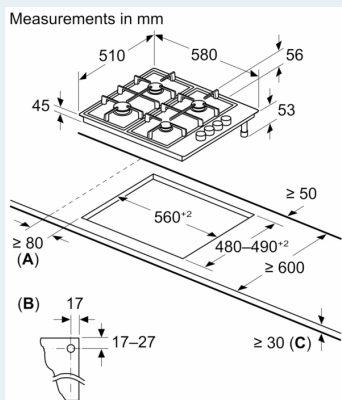
### Safety

- Flame failure safety device: prevents unwanted gas flow when flame goes out.

### Installation (gas types & measurements)

- Usable for: Nat gas L/LL G25/20mbar(DE)
- NG H/E 20mbar, E+ 20/25mbar Natural gas H 25 mbar (HU) Natural gas L 25 mbar (NL) Liquid gas G30,31 28-30/37mbar Liquid gas G30 37 mbar (PL) Liquid gas 50 mbar
- Factory set for connection to mains gas
- Nozzle set for LPG jets (28-30/37mbar) included. Nozzles for all other gas types can be ordered via the customer service. For nozzle change, please contact the customer service.
- Dimensions of the product (HxWxD mm): 56 x 580 x 510
- Required niche size for installation (HxWxD mm) : 45 x 560 x (480 - 492)
- Min. worktop thickness: 30 mm
- Power cord: 1 m
- Connected load: 7.4 KW

**IQ100, Gas hob, 60 cm, Stainless steel**  
**EB6B5PB60**



**A:** Min. distance from the hob cut-out to the wall

**B:** Position of gas connection in the cut-out

**C:** With fitted oven underneath possibly more; see space requirements for the oven