

**Series 8, Built-in compact oven with microwave function, 60 x 45 cm, Black
CMG633BB1B**



1 x combination grid, 1 x universal pan

HEZ327000 Pizza stone, HEZ530000 Half tray, HEZ531010 Baking tray, non-stick ceramic coated, HEZ532010 Universal pan, non-stick ceramic coated, HEZ617000 Pizza pan, enamelled, HEZ625071 Grill tray, anthracite, HEZ631070 Baking tray, enamelled, HEZ632070 Multipurpose pan, enamelled, HEZ634080 Baking and roasting grid, microwave, HEZ636000 Glass pan, HEZ660050 Cover Strip, HEZ660060 Strip, HEZ664000 Baking and roasting grid, steam, HEZ915003 Glass roasting dish, 5,4 L

The compact oven with microwave function: enables you to achieve perfect baking and roasting results very quickly.

- **Microwave function:** for quick warming up or for fast cooking in combination with hotair.
- **4D Hotair:** even heat distribution for perfect results.
- **TFT display control:** easy-to-use thanks to the control ring with full text and symbols.
- **LED lighting:** perfect illumination of foods with minimum energy consumption.
- **Drop Down door with SoftOpen and SoftClose:** the oven door opens and closes gently and quietly

Additional function: Microwave combination
 Type of control:Electronic
 Dimensions: 455x594x548 mm
 Cavity dimensions: 237 x 480 x 392 mm
 Length electrical supply cord: 150.0 cm
 Net weight: 35.4 kg
 Gross weight: 37.7 kg
 EAN code: 4242002834993
 Max. microwave power level: 900 W
 Connection rating: 3600 W
 Fuse protection: 16 A
 Voltage: 220-240 V
 Frequency: 60; 50 Hz
 Plug type: no plug (electrical connection by electrician)
 Included accessories: 1 x combination grid, 1 x universal pan



Series 8, Built-in compact oven with microwave function, 60 x 45 cm, Black CMG633BB1B

The compact oven with microwave function: enables you to achieve perfect baking and roasting results very quickly.

Design

- 2.5"-TFT colour and text display with direct select buttons
- Drop down door, SoftClose, SoftOpen
- 3 shelf positions
- Bosch control wheel
- Straight bar handle

Features

- Digital temperature display with proposal
- Actual temperature display Heating-up indicator AutoPilot
- Control panel lock
- Automatic safety switch off Residual heat indicator Start button Door contact switch
- Intelligent microwave inverter technology: For optimised results maximum output power will be regulated to 600 W when used in longer operation for gentler cooking.
- AutoPilot, 14
- Electronic clock timer
- LED light, Light on/off when oven door opened/closed
- Integral cooling fan

Programmes/functions

- Compact oven with microwave with Multifunction oven with 6 cooking functions: heating methods: 4D Hotair, Hotair Gentle, Hotair grilling, full width variable grill, half width grill, plate warming
- Additional heating methods with microwave: Microwave, Combi microwave constant
- Max. Power: 900 W; 5 Microwave power settings (90 W,180 W,360 W,600 W,900 W)
- Fast pre-heating function

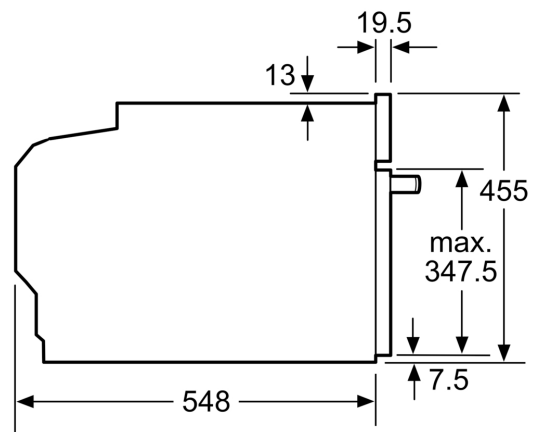
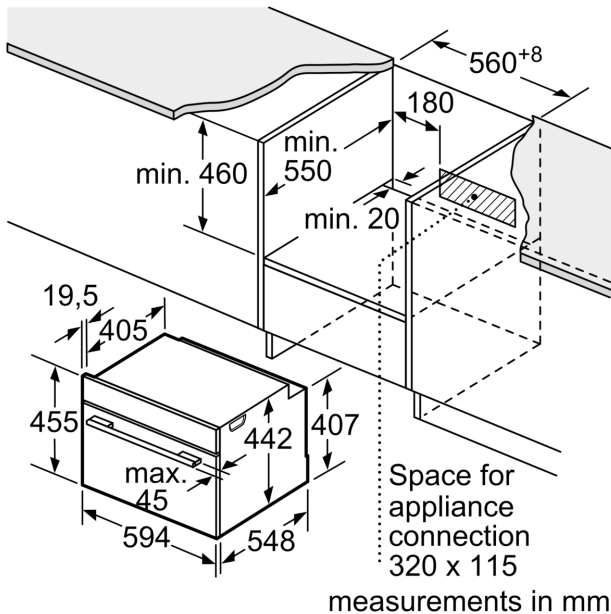
Accessories

- 1 x universal pan, 1 x combination grid

Performance/technical information

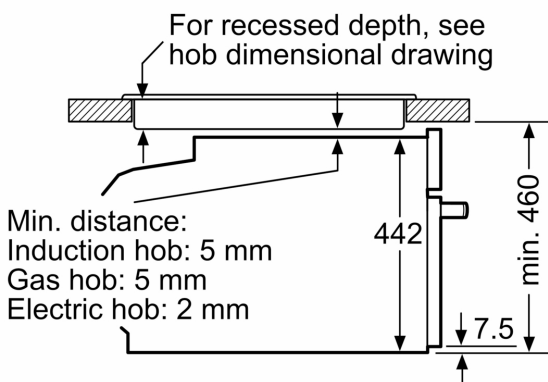
- Cavity volume: 45 litre capacity
- Temperature range 30 °C - 275 °C
- 150 cm Cable Cable length
- Total connected load electric: 3.6 KW
- Nominal voltage: 220 - 240 V
- Appliance dimension (hxwxh): 455 mm x 594 mm x 548 mm
- Niche dimension (hxwxh): 450 mm - 455 mm x 560 mm - 568 mm x 550 mm
- Please refer to the dimensions provided in the installation manual

**Series 8, Built-in compact oven with
microwave function, 60 x 45 cm,
Black
CMG633BB1B**



Installation with a hob.

If the compact appliance will be installed underneath a hob, the following worktop thicknesses (including substructure if necessary) must be taken into account.



Hob type	min. worktop thickness	
	fitted	flush
Induction hob	42 mm	43 mm
Full surface Induction hob	52 mm	53 mm
Gas hob	32 mm	43 mm
Electric hob	32 mm	35 mm

