

Series 6, Built-in compact microwave with steam function, 60 x 45 cm CPA565GS0B



Included accessories

1 x insert grid, 1 x Plug-in grid, 1 x glass pan, 1 x Steam container

Optional accessories

HEZ915003 Glass roasting dish, 5,4 L

The built-in microwave with steam function and hotair: prepare your dishes by saving time, steaming or re-heating.

- **Hotair:** perfect results on one level thanks to optimal distribution of heat.
- **AutoPilot 30:** Perfectly cooks dishes thanks to 30 pre-set automatic programmes.
- **White LCD display control:** easy-to-use thanks to direct access to additional functions, temperature recommendation and temperature indication.
- **Pop-out controls:** Make the front of the oven easy to clean and give it a sleek look.
- **LED lighting:** perfect illumination of foods with minimum energy consumption.

Technical Data

Additional function: Microwave only
 Type of control: Electronic
 Dimensions: 455 x 594 x 545 mm
 Cavity dimensions: 236.0 x 432.0 x 350 mm
 Length electrical supply cord: 150.0 cm
 Net weight: 34.2 kg
 Gross weight: 37.9 kg
 EAN code: 4242005036196
 Max. microwave power level: 1000 W
 Connection rating: 3100 W
 Fuse protection: 16 A
 Voltage: 220-240 V
 Frequency: 50 Hz
 Plug type: fixed connection (electrical connection by electrician)
 Included accessories: . 1 x insert grid, 1 x Plug-in grid, 1 x glass pan, 1 x Steam container



Series 6, Built-in compact microwave with steam function, 60 x 45 cm CPA565GS0B

The built-in microwave with steam function and hotair: prepare your dishes by saving time, steaming or re-heating.

- Appliance dimension (hxwx): 455 mm x 594 mm x 545 mm
- Niche dimension (hxwx): 450 mm - 452 mm x 560 mm - 568 mm x 550 mm
- Please refer to the dimensions provided in the installation manual

Design

- LCD Display, red display, White
- Electronic clock timer, electronic timer
- stainless steel, Glass base cavity with Glass base, stainless steel
- Rotary dial, Retractable control dials, Touch controls, Start button
- Straight bar handle
- Touch key operation
- Drop down door

Features

- Control panel lock
- Automatic safety switch off Start button Door contact switch
- Intelligent microwave inverter technology: For optimised results maximum output power will be regulated to 600 W when used in longer operation for gentler cooking.
- AutoPilot, 30
- LED light
- Integral cooling fan
- Three different steam levels available
- Location of water tank: Outside cavity
- Automatic water tank detection

Cleaning

- Catalytic back liner
- cleaning program of water pipe
- Descaling programme

Programmes/functions

- Built-in Microwave with steam function with the heating functions: Microwave, Steam cooking, Hot Air Cooking, Hotair grilling, full width variable grill
- Grill and microwave power levels 90 W, 180 W, 360 W, 600 W combinable
- Maximum microwave power level: 1000 W and the following options: 1000 W, 180 W, 360 W, 600 W, 90 W
- 2 KW grill function
- All heating functions may be used separately or in combination
- 4 defrost and 26 cooking programmes
- Fast pre-heating function

Accessories

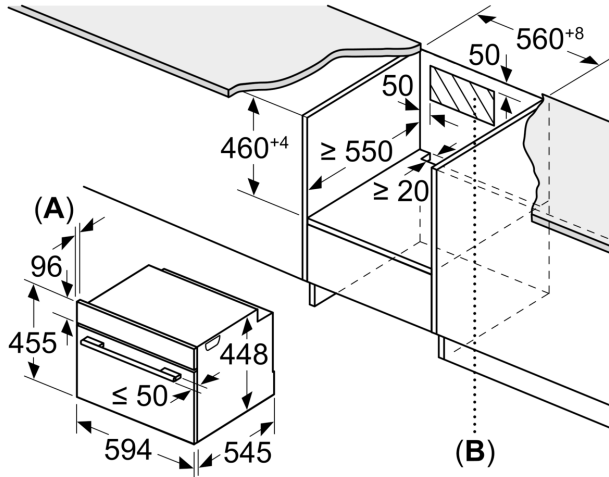
- 1 x Steam container, 1 x insert grid, 1 x Plug-in grid, 1 x glass pan

Performance/technical information

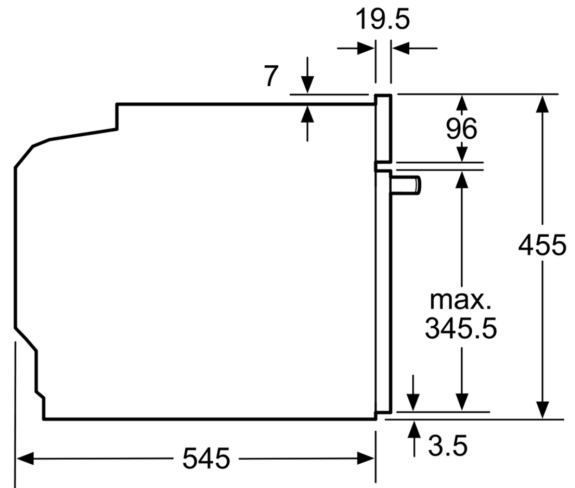
- Cavity volume: 36 l
- 0.8 l Water tank
- Temperature range 40 °C - 230 °C
- 150 cm Cable Cable length
- Total connected load electric: 3.1 KW
- Nominal voltage: 220 - 240 V

**Series 6, Built-in compact microwave
with steam function, 60 x 45 cm
CPA565GS0B**

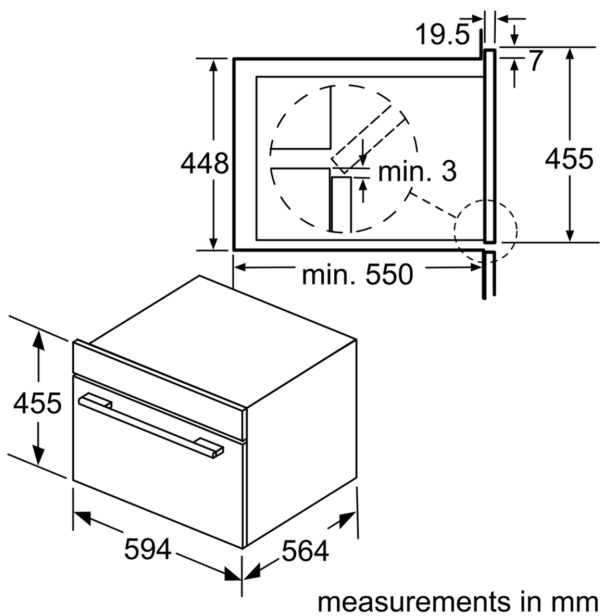
measurements in mm



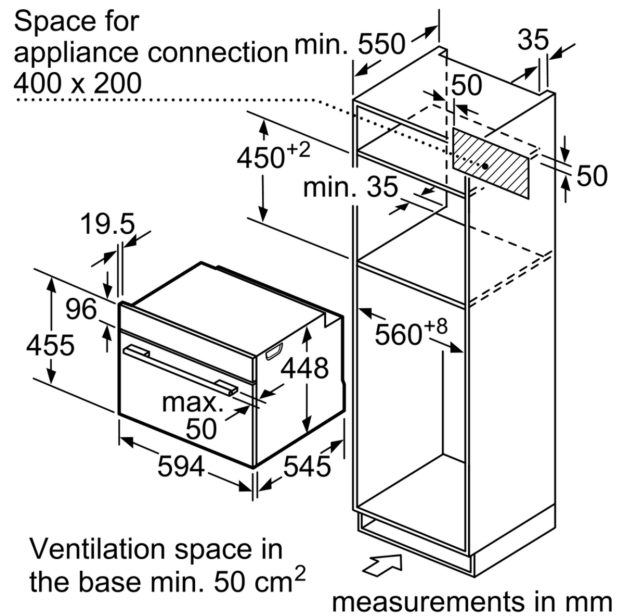
A: 19.5
B: Space for appliance connection 400 x 200



measurements in mm



measurements in mm



measurements in mm