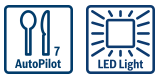


**Series 6, Built-in microwave, 59 x 38 cm, Black
BFL554MB0B**



Optional accessories

HEZ86D000 Steamer Cooker Accessory for Microwave

A great partner for the kitchen, the built-in compact microwave defrosts, heats and cooks helping you prepare food in the kitchen.

- **AutoPilot 7:** every dish is a perfect success thanks to 7 pre-set automatic programmes.
- **Pop-out controls:** Make the front of the oven easy to clean and give it a sleek look.
- **White LCD display control:** easy-to-use thanks to direct access to additional functions, temperature recommendation and temperature indication.
- **LED lighting:** perfect illumination of foods with minimum energy consumption.

Technical Data

Additional function: Microwave only
 Type of control: Electronic
 Dimensions: 382 x 594 x 388 mm
 Cavity dimensions: 208.0 x 328.0 x 369.0 mm
 Length electrical supply cord: 130.0 cm
 Net weight: 17.0 kg
 Gross weight: 20.1 kg
 EAN code: 4242005054336
 Max. microwave power level: 900 W
 Connection rating: 1450 W
 Fuse protection: 10 A
 Voltage: 230-240 V
 Frequency: 50 Hz
 Plug type: GB plug



Series 6, Built-in microwave, 59 x 38 cm, Black BFL554MB0B

A great partner for the kitchen, the built-in compact microwave defrosts, heats and cooks helping you prepare food in the kitchen.

Features

- 900 W maximum microwave power and the following options: 180 W, 360 W, 600 W, 90 W, 900 W
- Grill and microwave power levels 90 W, 180 W, 360 W combinable
- Cavity volume: 25 l

Design

- Cavity inner surface: stainless steel

Programmes/functions

- LED Display, White
- Rotary dial, Retractable control dials, Touch controls, round, Start button
- User-friendly electronics: extremely
- easy and comfortable operation
- AutoPilot, 7
- 4 defrost and 3 cooking programmes in microwave function
- 1 memory setting
- LED light
- 31.5 cm Glass turntable
- Side opening door, left hinged
- Electronic open button
- Touch key operation

Features

- Automatic safety switch off
- Door contact switch
- Integral cooling fan

Technical information

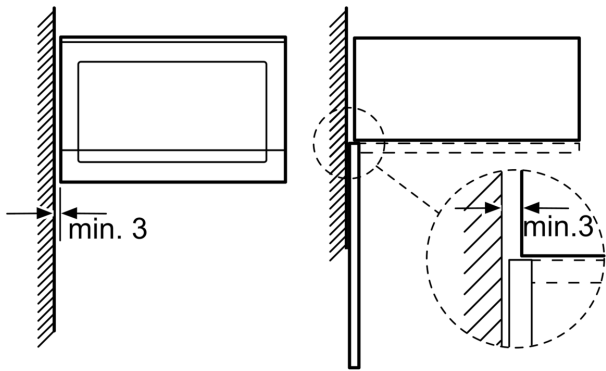
- 130 cm Cable length
- Total connected load electric: 1.45 KW
- Nominal voltage: 230 - 240 V
- installation in tall housing

Performance/technical information

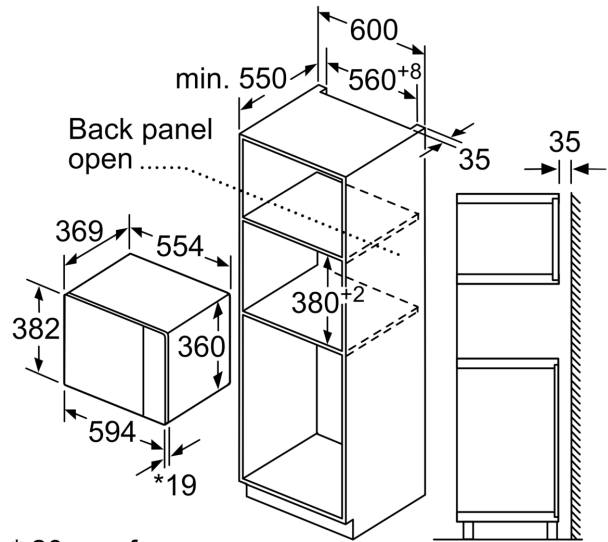
- Appliance dimension (hxwx): 382 mm x 594 mm x 388 mm
- Niche dimension (hxwx): 380 mm - 382 mm x 560 mm - 568 mm x 550 mm
- Please refer to the dimensions provided in the installation manual

**Series 6, Built-in microwave, 59 x 38 cm, Black
BFL554MB0B**

Microwave,
corner installation

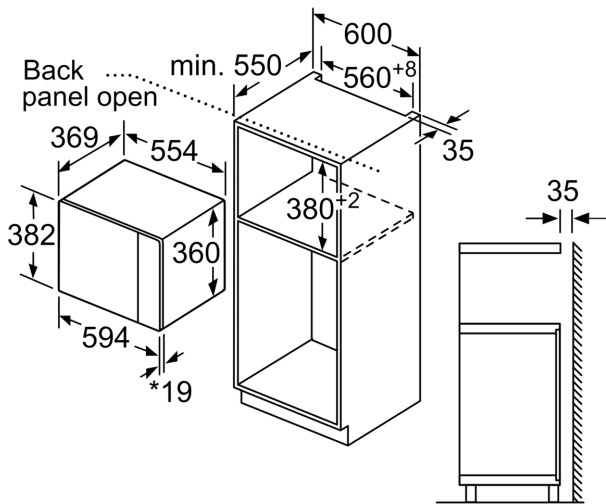


Measurements in mm



* 20 mm for
metal fascia

measurements in mm



* 20 mm for metal fascia

measurements in mm